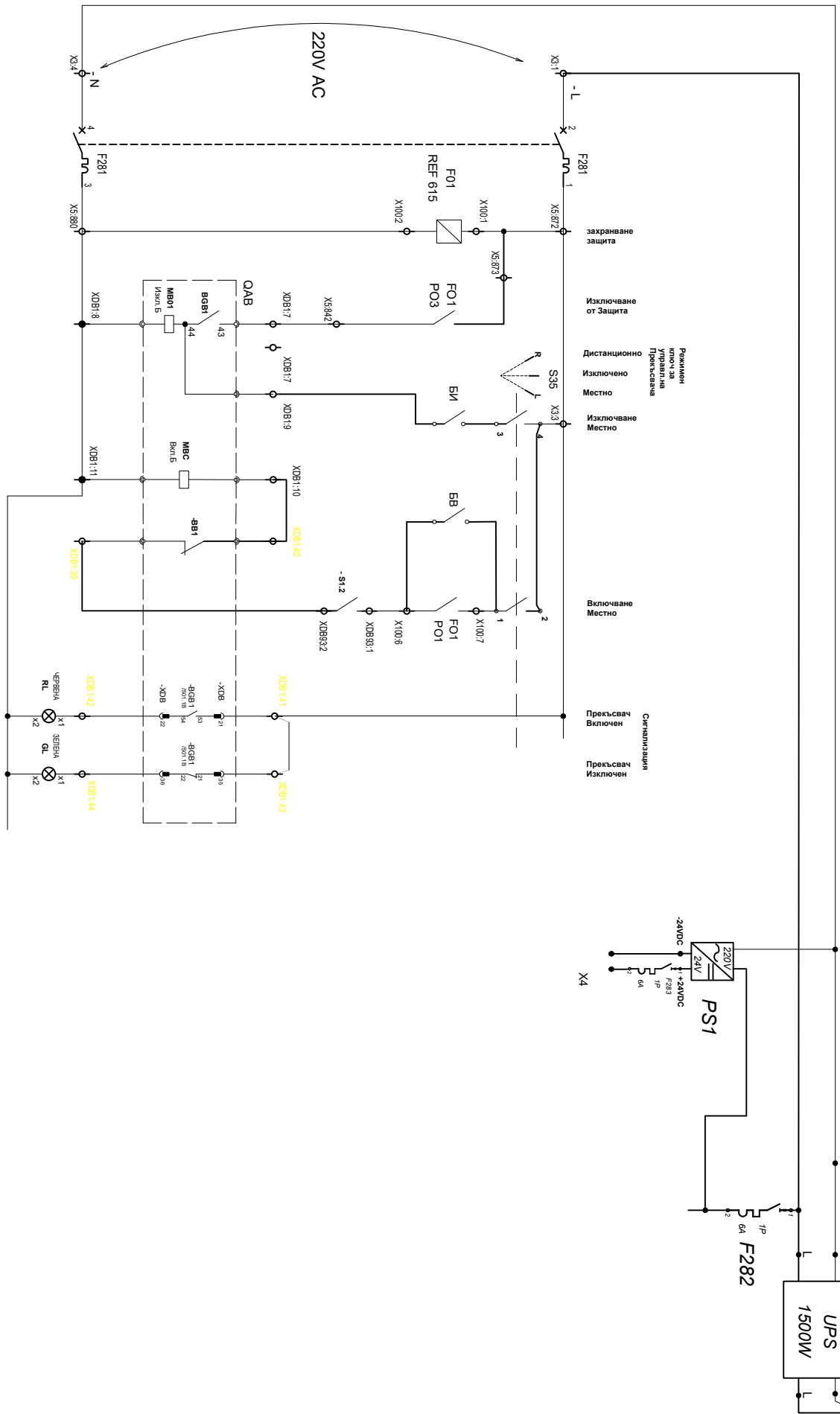


A	1	2	3	4	5	6	7	8
E								
D								
C								
B								
A								
F								
Scale	Based on	Prepared	Title		External doc. id.	DCC	KFFS	
Project no.	Customer	Approved	Еднолинейна схема SVC		Ref. designation	en	Page/Rev.	
1	UnitSec	Work order id.	ABB		1VCND001770103	V3788	A03	
			CIRCUIT DIAGRAM					
			Resp. (division/department)					
			ITABB PPMV PS-PWEL					

# Оперативна схема за включване и изключване на вакумен прекъсвач VD4 в Килия SVC

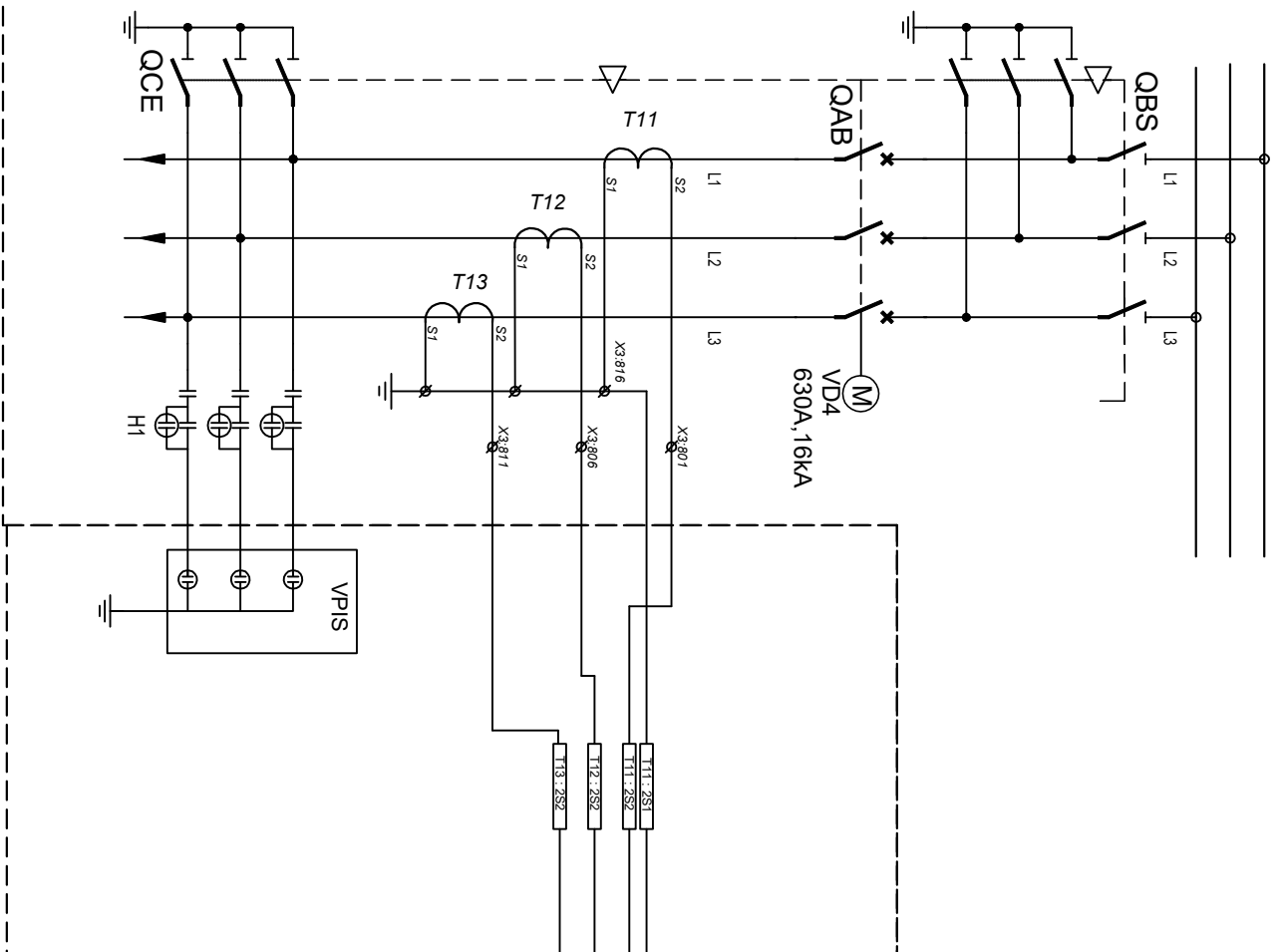
от Тр.СН



Scale	Based on	Prepared	Title	External doc. id.
Project no.	Customer	Approved	Оперативна схема за включване и изключване на вакумен прекъсвач VD4 в Килия SVC	Ref. designation
1	UniSec	Work order id.	Responsible (division/department)	Document id.
2			ITABB PPMV.PS-PWEL	1VCN0001770103
3			Document kind	Lang.
4			CIRCUIT DIAGRAM	en
5			Author	Page/Key
6				A04
7				
8				

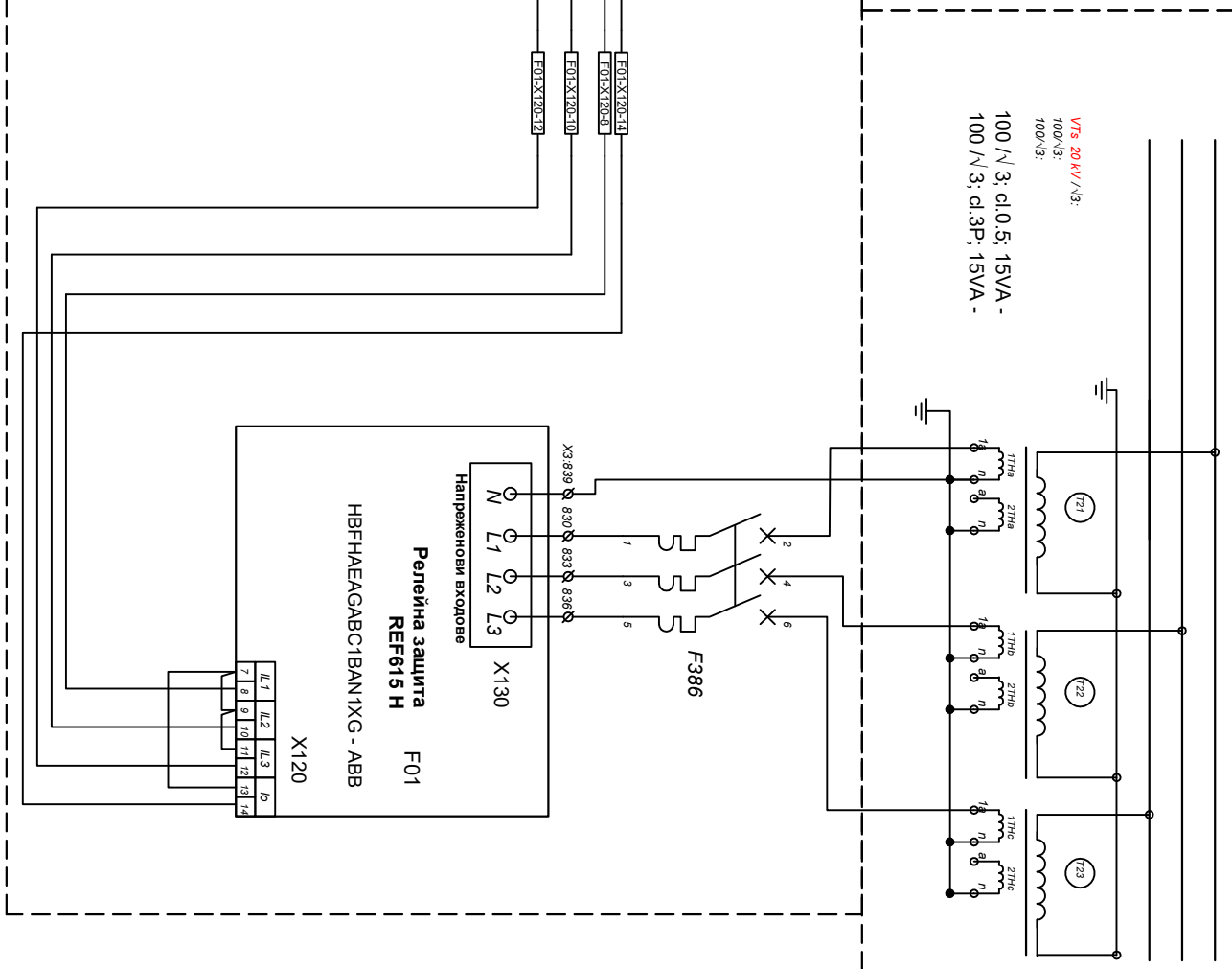


# КРУ тип СВС



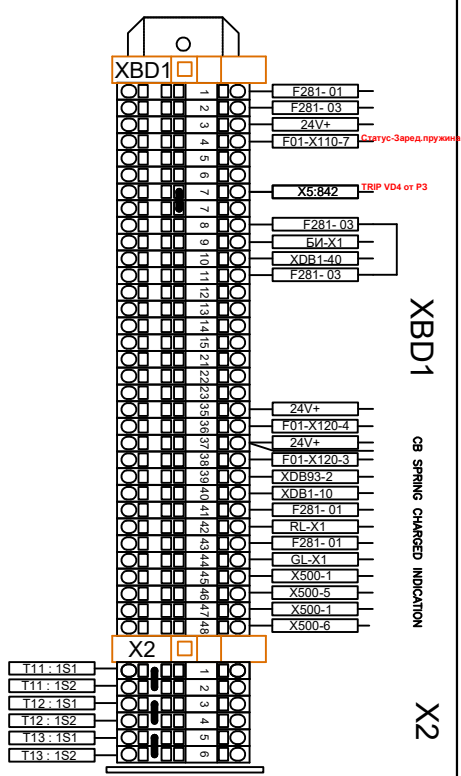
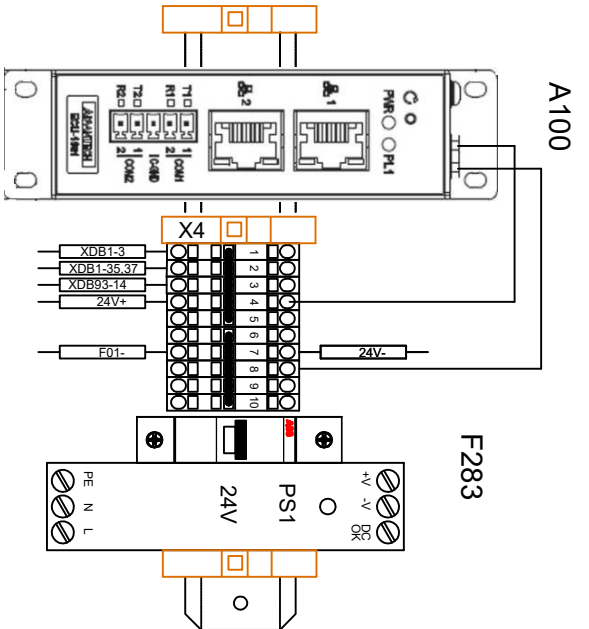
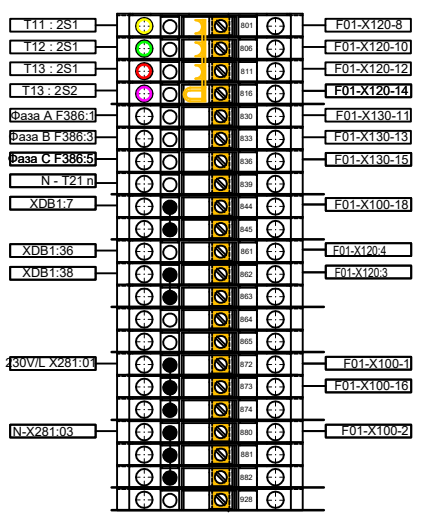
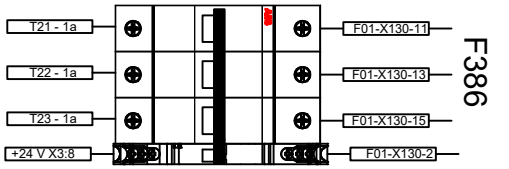
# НТ монтирани вътре в СВС

VTS 20 kV / 3:  
 100 A / 3:  
 100 V / 3:  
 100 / 3; d: 0.5; 15VA -  
 100 / 3; c: 3P; 15VA -

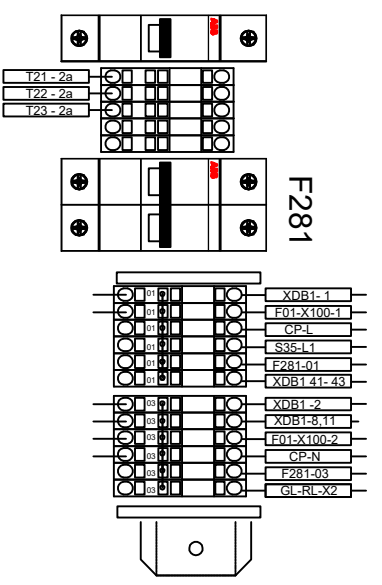


Scale	Based on	Prepared	Responsible	Document kind	External doc. id.
Project no.	Customer	Approved	Responsible (division/department)	Document kind	Ref. designation
1	Project name	Work order id.	4	5	Document id.
2					
3					
4					
5					
6					
7					
8					





XBD1  
OF SPRING CHARGED INDICATION  
X2



F385  
Размнож. клемм: на F281-6A

F281-01  
F281-01  
F01-X100-1  
XD100-10  
S35-04  
XBD1-11  
F281-03

Scale	Based on	Prepared	Title	External doc. id.
Project no.	Customer	Approved	Клеморед в отсек НН	Ref. designation
Project name	Work order id.	Resp. (division/department)	ABB	Document id.
			Вторична комутация	Document id.
				Lang. Page/Rev.
				BG A07
				DCC KEFS

# Клеморед -XDB93

## ГSec

### ЗНОЖ

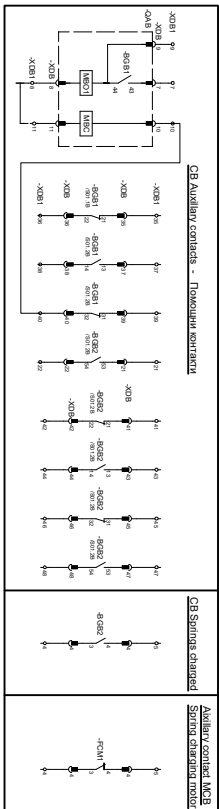
XDB93	Клеморед ЛР и ЗН
BGI411-1	1 K11:12
BGI411-2	2 XDB1:39
BGI411-3	3
BGI412-4	4 +24VDC-X4:1
BGI412-5	5 K:2.17
BGI412-6	6
BGI413-7	7
BGI413-8	8
BGI413-9	9
BGI414-10	10
BGI414-11	11
BGI414-12	12
BGI431-13	13
BGI431-14	14 K:2.18
BGI431-15	15
BGI432-16	16
BGI432-17	17
BGI432-18	18
BGI433-19	19
BGI433-20	20
BGI433-21	21
BGI434-22	22
BGI434-23	23
BGI434-24	24

-загр. мотор  
-загр. мотор  
-Заредена Пруж.

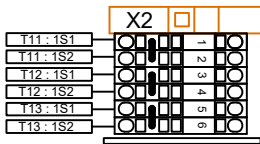
TRIP VD4 or P3

# Клеморед -XDB1

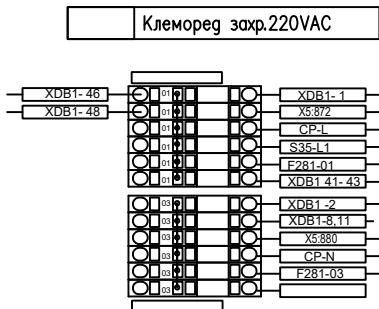
XDB1	Клеморед Прекъсвач
220VAC:L-XDB:1	1 F281-01
220VAC:N-XDB:2	2 F281-03
BGS2:4-XDB:3	3 24V+
BGS2:3-XDB:4	4 F01-X110-7
FCM1:6-XDB:5	5
FCM1:7-XDB:6	6
BGB1:43-XDB:7	7 X5:842
	7
MB01:2-XDB:8	8 220VAC F281-03
BGB1:44-XDB:9	9
MBC:1-XDB:10	10 XDB1-40
MBC:2-XDB:11	11 220VAC F281-03
	12
	13
	14
	15
BGB2:53-XDB:21	21
BGB2:54-XDB:22	22
	23
BGB1:21-XDB:35	35 24V+
BGB1:22-XDB:36	36 X5:861
BGB1:13-XDB:37	37 +24VDC-X4:1 24V+
BGB1:14-XDB:38	38 X5:862
BGB1:31-XDB:39	39 XDB93:2
BGB1:32-XDB:40	40 XDB1:10
BGB2:21-XDB:41	41 220VAC:L- F281-01
BGB2:22-XDB:42	42 RL:X1
BGB2:13-XDB:43	43 F281-01
BGB2:14-XDB:44	44 GL:X1
BGB2:31-XDB:45	45
BGB2:32-XDB:46	46
BGB2:53-XDB:47	47
BGB2:54-XDB:48	48



# Клеморед - X2



# Клеморед - 281



# Клеморед - X3

X3	Клеморед загр.24VDC
+24VDC-XBD1:37	1 +24VDC-XDB39:4
	2 +24VDC-F281:11
+24VDC /F282:2	3 +24VDC-XBD1:47
+24VDC-KV:5	4 +24VDC-A100:1
+24VDC-K:1.1	5 +24VDC-YBD1:4
	6 -24VDC-PS1:-V
-24VDC-K:1.2	7 -24VDC-A100:2
	8
	9
	10

Scale: Based on \_\_\_\_\_

Customer: \_\_\_\_\_

Project no.: \_\_\_\_\_

Project name: \_\_\_\_\_

Work order id.: \_\_\_\_\_

Responsible (division/department): \_\_\_\_\_

Title: **КЛЕМНИ ВРЪЗКИ**

Document kind: Вторична комултация

External doc. id.: \_\_\_\_\_

Ref. designation: \_\_\_\_\_

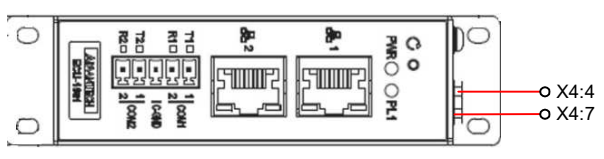
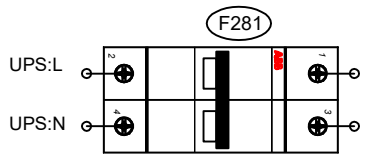
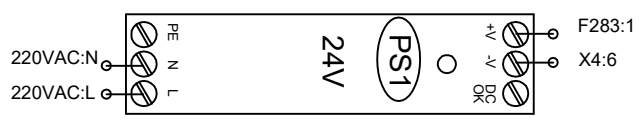
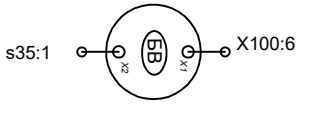
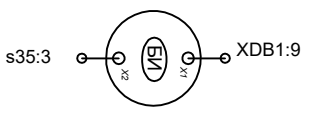
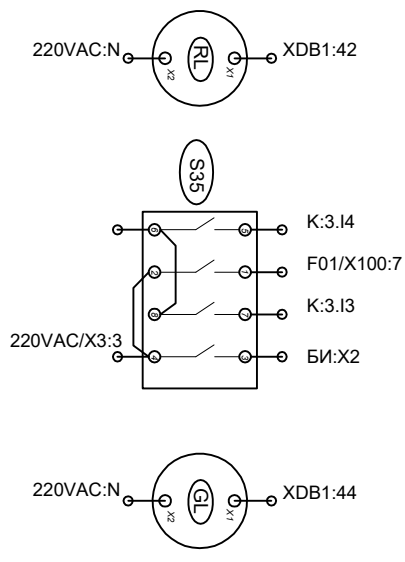
Document id.: \_\_\_\_\_

Lang: BG

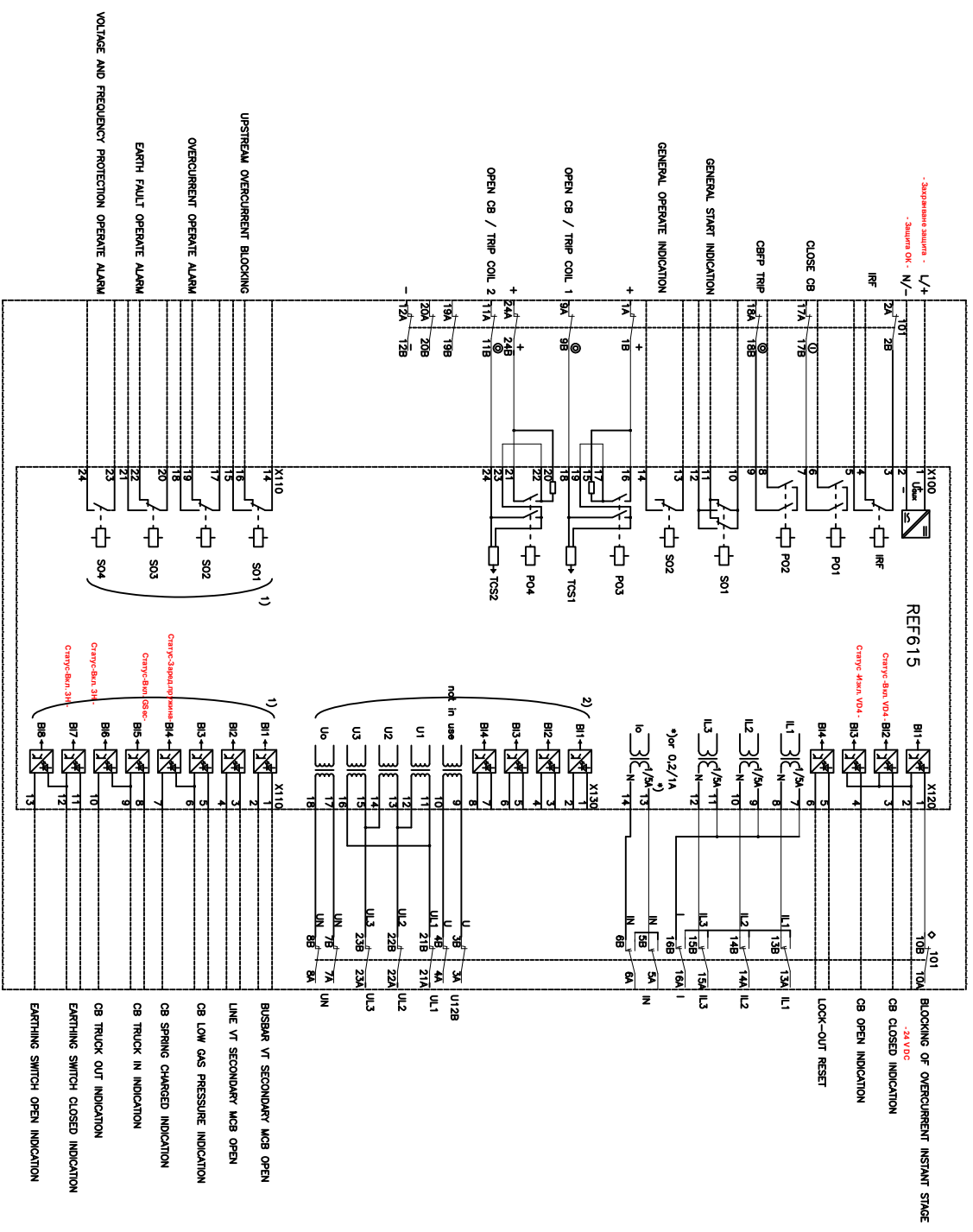
Package: A09

DGC

KEFS



Scale	Based on	Prepared	Title	External doc. id.
Project no.	Customer	Approved	<b>P3 REF 615</b>	Ref. designation
	Project name	Work order id.	<b>Вторична комуникация</b>	Document id.
1			<b>ABB</b>	Lang. BG
2			Document kind	PageRef. A10
3				DCC & EFS
4				
5				
6				
7				
8				

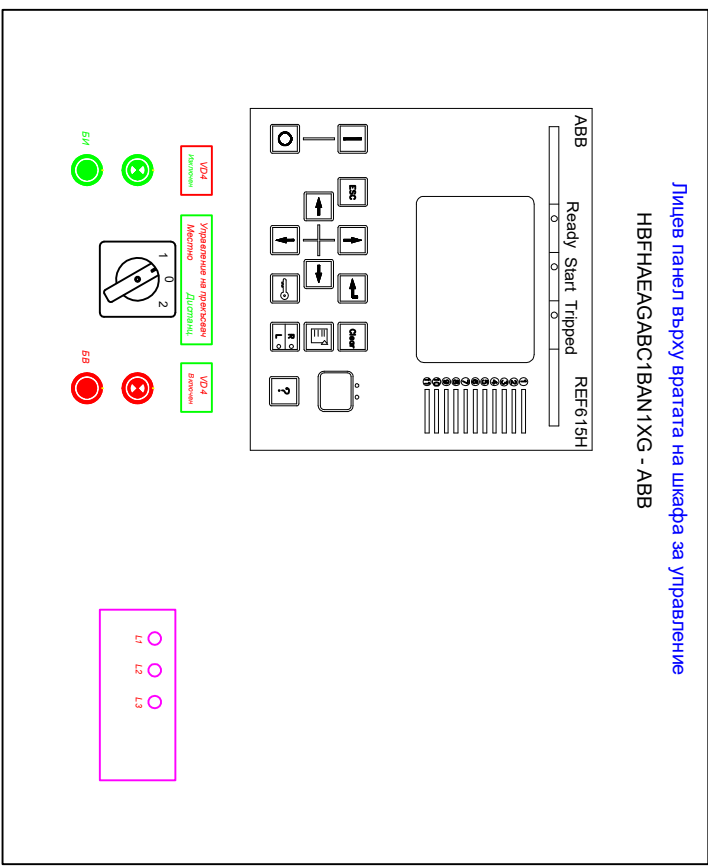


Scale	Based on	Prepared	Title	External doc. id.
Project no.	Customer	Approved	<b>P3 REF 615</b>	Ref. designation
1	Project name	Work order id.	<b>ABB</b>	Document id.
2			Document kind	Lang.
3			Вторична комутация	Page/Rev.
4				BG A11
5				DCC & EFS
6				
7				
8				



Лицев панел върху вратата на шкафа за управление

НВГНАЕАГАВС1ВАН1ХГ - АВВ



Име на LED	Текущо състояние на светодиода	Премигва
Не свети	Свети	
READY	Липса на напрежение	Нормален режим
START	Нормален режим	Заработване на защитата
TRIPPEД	Нормален режим	Защитата е блокирана
	Сработила защита	-

№ на LED	LED свети
1	REF:615 в изправност
2	Изключване от МТО
3	Изключване от МТЗ
4	Изключване от ЗЗ
5	Изключила РЗ
6	
7	
8	
9	
10	
11	

Scale	Based on	Prepared	Title	External doc. id.	DocC & EFS
	Customer	Approved	<b>P3 REF 615</b>	Ref. designation	
Project no.	Project name	Work order id.	Resp. (division/department)	Document id.	Lang. PageKey
1		2	3	4	BG A12
			<b>ABB</b>	Document kind	
			Вторична комултация		
			5	6	7
					8